

Hello Friends,

We recently spent a week in Europe visiting our suppliers and customers - yeah I know, tough work. While in the Netherlands, we visited a company, VAT Logistics, who handles our products for our European customers. While there, our contact Michel Derksen, the branch manager, told us of a nonprofit he had started. Their focus is to build toilets for schools in Nepal. It's tough to imagine attending a school without one - a bit of a mess, literally. Fittings Inc. agreed to build one for a secondary school outside of Katmandu. The nonprofit website is [www.argonepal.org](http://www.argonepal.org) if you are interested.

The reason I tell the story is just a reminder that while we all have our own struggles and they are real, we are probably doing just a bit better than most people in the world. So if you have a business, perhaps 2015 might be a good time to find a worthy charity and offer some expertise or capital. They would likely welcome either.

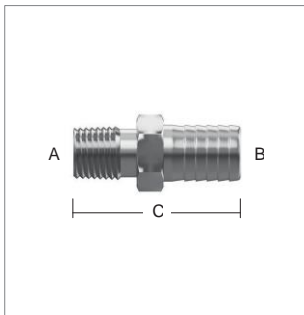
**Thanks - Mark and company**

Book recommendation: 'The Sleepwalkers: How Europe Went to War in 1914' by Christopher Clark

## New Fittings for February 2015

### BARB TO NPT

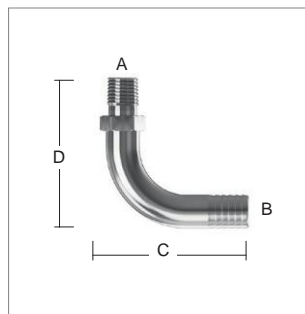
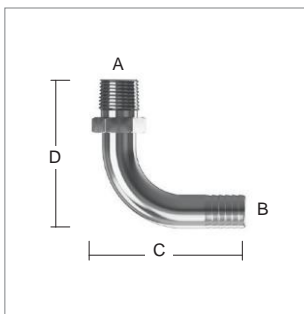
### ADAPTERS - STRAIGHT & ELBOWS



SKU	A (NPT)	B (Barb)	C (Length)	Material
3378	1/4"	1/2" 13.51 mm	1.57" 39.90 mm	Stainless Steel

### BARB TO NPT - ELBOW - SWEEP

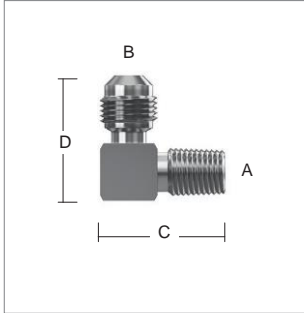
### ADAPTERS - STRAIGHT & ELBOWS



SKU	A (NPT)	B (Barb)	C (Length)	D (Height)
7503	3/8"	1/2" 13.51 mm	2.27" 57.50 mm	2.36" 59.90 mm
7506	1/4"	1/2" 13.51 mm	2.27" 57.50 mm	2.38" 60.50 mm

## NPT TO MALE FLARE - ELBOWS

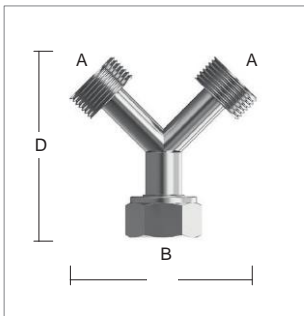
## ADAPTERS - STRAIGHT & ELBOWS



SKU	A (NPT)	B Male Flare)	C (Length)	D (Height)
7515	1/4"	3/8" (5/8-18)	1.36" 34.50 mm	1.36" 34.50 mm

## BEER NUT TO BEER THREAD - "Y" FITTING

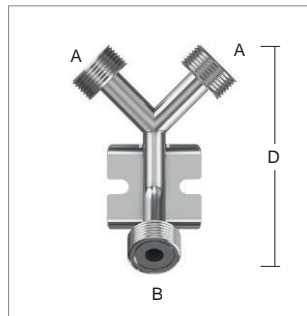
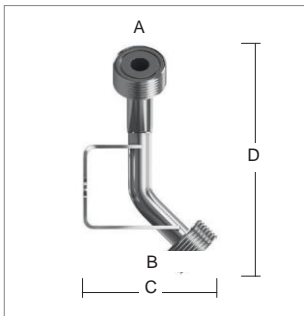
## BEER



SKU	A (Threads)	B (Threads)	C (Length)	D (Height)
7512	29/32" - 14	29/32" - 14	2.70" 68.60 mm	2.62" 66.50 mm

## WALL BRACKET - BEER NUT TO BEER THREAD - "Y" FITTING

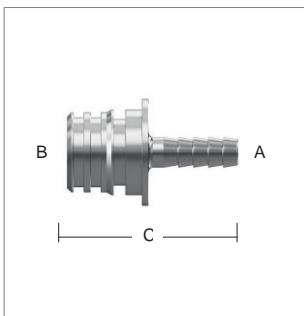
## BEER



SKU	A (Threads)	B (Threads)	C (Length)	D (Height)
7513	29/32" - 14	29/32" - 14	2.39" 60.70 mm	3.95" 100.30 mm

## FLOJET STRAIGHT INLET - QUAD PORT

## VALVES & PUMPS



SKU	A (Barb)	B (Inlet)	C (Length)	Material
3380	1/4" 7.24 mm	Flojet Quad Port	1.60 40.60 mm	Stainless steel